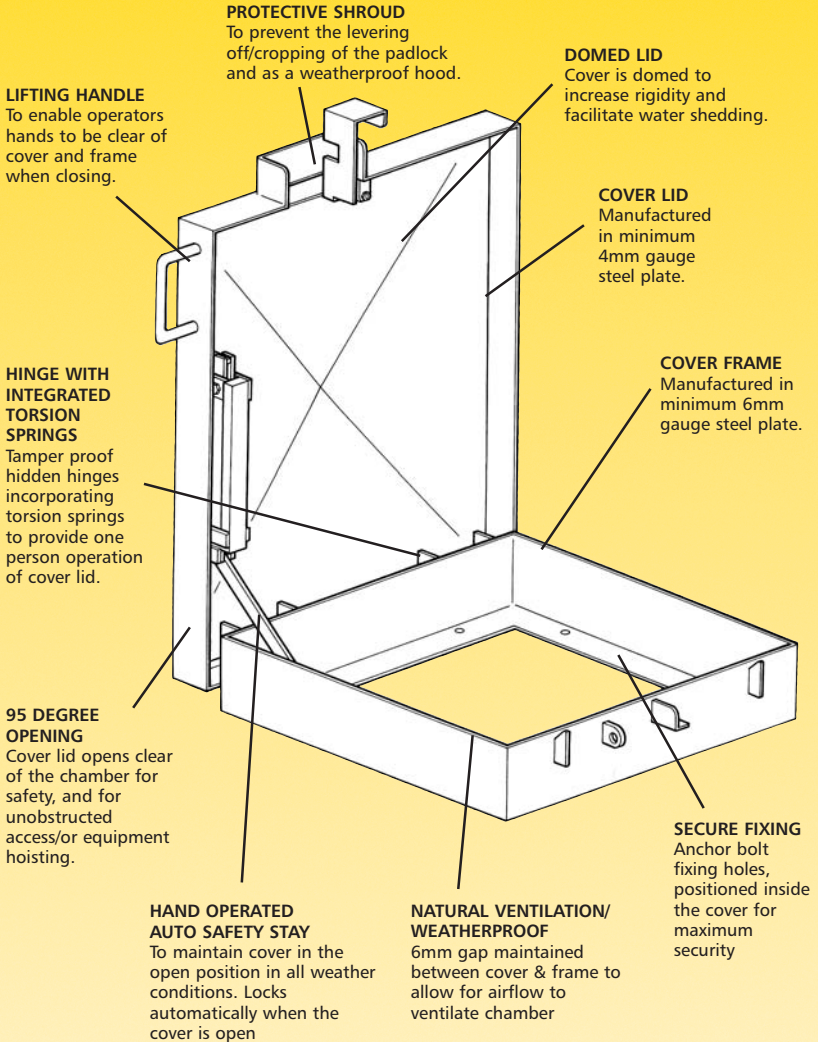


01/07/03

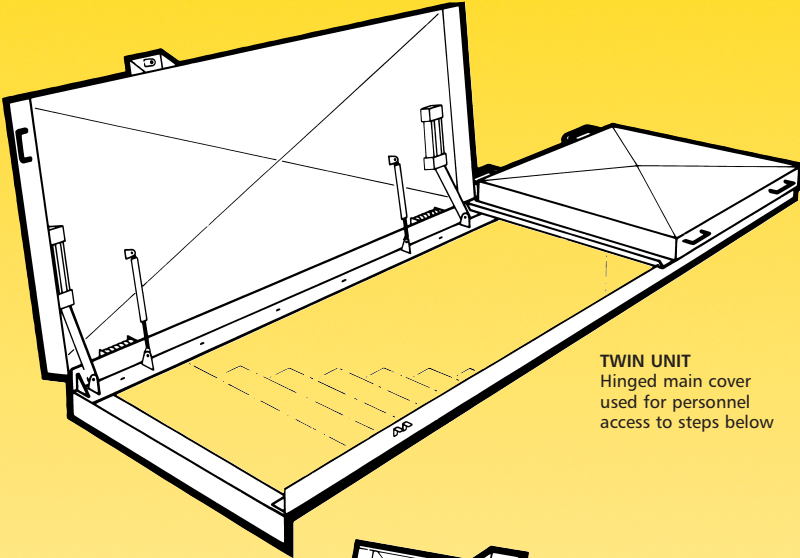
# SECURITY AND GENERAL FEATURES OF THE TECHNORAIL ULTRASECURE UNH COVER RANGE

- UPSTAND • HIDDEN HINGE • DEEP FRAME •

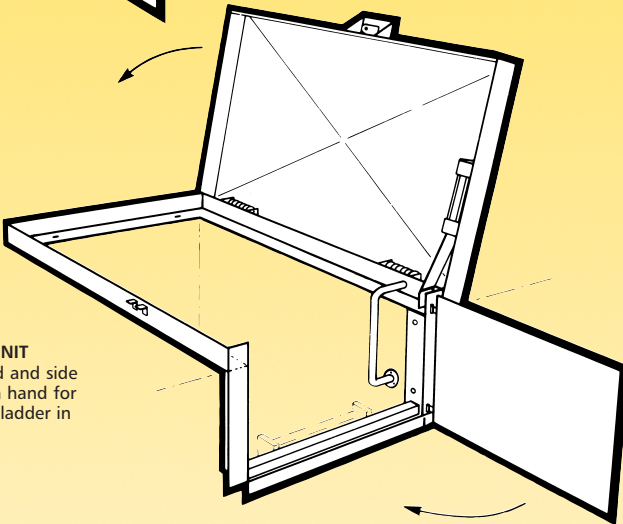


# VARIATIONS OF TECHNORAIL ULTRASECURE UPSTAND RANGE

• *TYPICAL SPECIALS* •



**TWIN UNIT**  
Hinged main cover  
used for personnel  
access to steps below

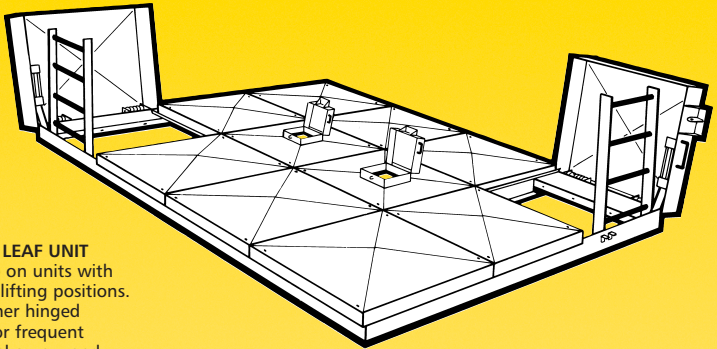


**SINGLE UNIT**  
Hinged lid and side  
door with hand for  
access to ladder in  
chamber

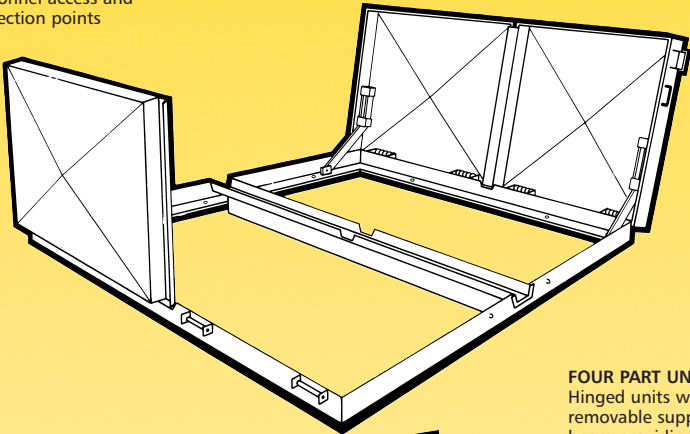
# TRIM

01/07/03

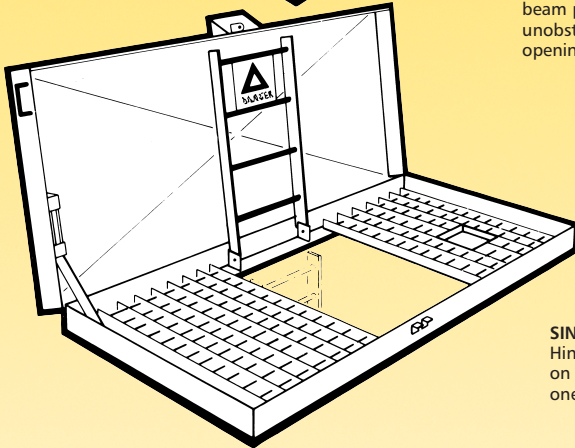
PRODUCTS AND INFORMATION CAN BE AMENDED WITHOUT PRIOR CONSENT TO MAINTAIN THE COMPANY POLICY OF CONTINUED IMPROVEMENT



**TWELVE LEAF UNIT**  
Ten drop on units with eye bolt lifting positions. Two corner hinged covers for frequent personnel access and inspection points



**FOUR PART UNIT**  
Hinged units with removable support beam providing unobstructed clear opening



**SINGLE UNIT**  
Hinged with two drop on safety grids and one hinged ladder/grid