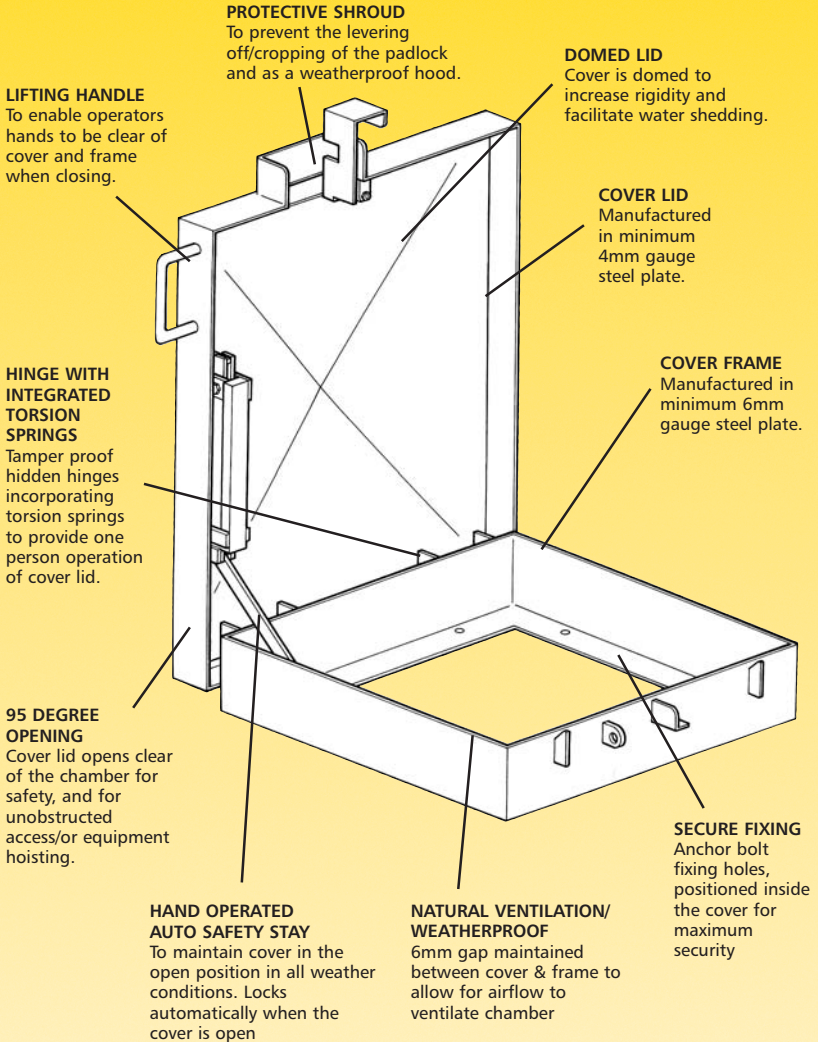


01/07/03

# SECURITY AND GENERAL FEATURES OF THE TECHNORAIL ULTRASECURE UNH COVER RANGE

- UPSTAND • HIDDEN HINGE • DEEP FRAME •



# TYPE UNH3

## TECHNICAL DETAILS

Units are manufactured from minimum 4 mm steel plate and are Hot Dip Galvanised after manufacture to BS EN ISO 1461. Products conform to all health and safety single person manual handling regulations.

## ACCESSORIES

- /G1 Hinged ladder/safety grid
- /G2 Drop-on walk on safety grid
- /G4 Hinged walk on safety grid
- /H3 In-line hinging
- /D1 Service ID
- /P1 Peep hole facility
- /L9 Safety grid padlock
- /L7 Locking on top
- /F1 Deeper frame (please specify)
- /F3 Full skirt (please specify)
- /XP Paint colour (please specify)

## ALTERNATIVE MATERIALS

Stainless steel - Specifying code = /S316  
 Specifying code = /S304

For specifying one of the above, add the code as an end addition to the full specifying code.

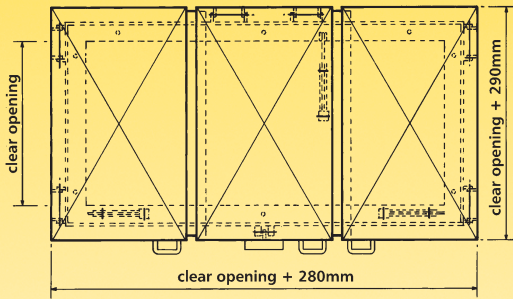
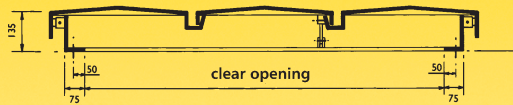
## HOW TO ORDER/SPECIFY

Progression example for specifying

1. Select Product Reference: UNH3
2. Add clear opening size i.e. 230-70
4. Add accessory i.e. G1

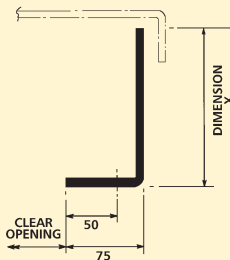
**Full reference:** UNH3/230-70/G1

## SECTION/PLAN DETAILS



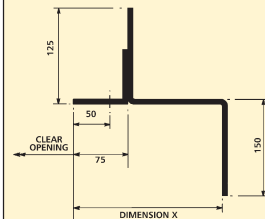
### F1

Deeper frame depth  
 Used for existing concrete slabs at or below ground level.  
 Extra personnel safety  
 Specifying code = /F1 + dimension x  
 (eg. 300mm)  
**Full accessory reference:** /F1/30



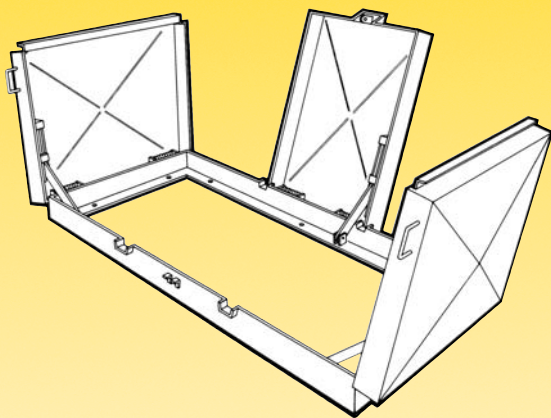
### F3

Full skirt for concrete and telemetry protection  
 As standard in chequer plate  
 Specifying code = /F3 + dimension x  
 (eg. 300mm)  
**Full accessory reference:** /F3/30



# ULTRASECURE UPSTAND COVER

- NON-SEALED • HINGED •
- TRIPLE UNIT •



PRODUCTS AND INFORMATION CAN BE AMENDED WITHOUT PRIOR CONSENT TO MAINTAIN THE COMPANY POLICY OF CONTINUED IMPROVEMENT



## TYPE UNH3

### PRODUCT USES

This cover is designed for underline cable crossings, electrical pits and, in the smaller sizes, electrical junction boxes, where a waterproof cover is required in a non trafficked area. This cover complies with H.S.E. manual handling for one person operation.

### STANDARD PRODUCT FEATURES

- Upstand hinged cover
- Waterproof
- Shrouded hasp & staple locking for security. To suit BR padlocks
- Torsion sprung lift assistance for ease of lifting by one person to comply with H.S.E. manual handling
- Hand operated Auto Safety stay
- Lifting handles on lids
- Domed lid for water shedding
- Protected internal anchoring points for maximum security
- Additional frame features when required (see accessories)
- Security rating 3 to combat trespass & vandalism.

### AVAILABILITY

Delivery is normally within 3 weeks (or to clients requirements) from receipt of order and is generally supplied direct to site or supply & fit.

## CLEAR OPENING SIZES CHART

	600		700		800		900		1000		1100		1200		1300		1400		1500		1600		1700	
2200	220-60																							
2300	230-60	230-70																						
2400	240-60	240-70	240-80																					
2500	250-60	250-70	250-80	250-90																				
2600	260-60	260-70	260-80	260-90	260-100																			
2700	270-60	270-70	270-80	270-90	270-100	270-110																		
2800	280-60	280-70	280-80	280-90	280-100	280-110	280-120																	
2900	290-60	290-70	290-80	290-90	290-100	290-110	290-120	290-130																
3000	300-60	300-70	300-80	300-90	300-100	300-110	300-120	300-130	300-140															
3100	310-60	310-70	310-80	310-90	310-100	310-110	310-120	310-130	310-140	310-150														
3200	320-60	320-70	320-80	320-90	320-100	320-110	320-120	320-130	320-140	320-150														
3300	330-60	330-70	330-80	330-90	330-100	330-110	330-120	330-130	330-140	330-150														
3400	340-60	340-70	340-80	340-90	340-100	340-110	340-120	340-130	340-140	340-150														
3500	350-60	350-70	350-80	350-90	350-100	350-110	350-120	350-130	350-140	350-150														
3600	360-60	360-70	360-80	360-90	360-100	360-110	360-120																	

Always take the **largest clear opening dimension first** from the column of sizes on the left of the chart. The second smaller dimension is related to the sizes running diagonally down the right hand of the chart. The specifying code is where the two meet i.e. 2300 x 700 = an 230-70 specifying code.

### USING THE CHART

### ALTERNATIVE SIZES

The chart provides clear opening sizes in 50 or 100 mm increments, **any clear opening size is available as Standard**, and can be specified by deleting the last digit of the size, i.e. 2310 x 610 mm becomes an 231-61 specifying code. Sizes in 5 mm will be rounded up to nearest 10.