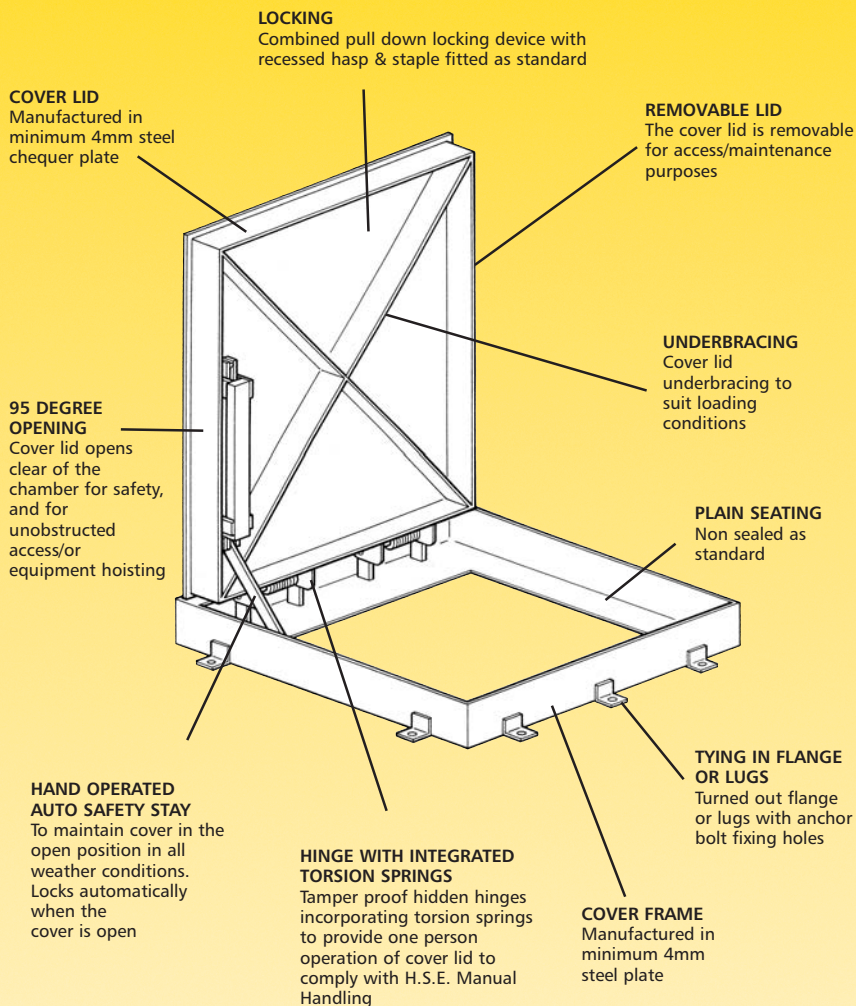


# SECURITY AND GENERAL FEATURES OF THE TECHNORAIL ULTRASECURE SHH COVER RANGE

• SOLID TOP • HIDDEN HINGE • DEEP FRAME •



# TYPE SHH2IL

## TECHNICAL DETAILS

Units are manufactured from minimum 4 mm steel plate and are Hot Dip Galvanised after manufacture to BS EN ISO 1461. Products conform to all health and safety single person manual handling regulations.

## ACCESSORIES

- /G1 Hinged ladder/safety grid
- /G2 Drop-on walk on safety grid
- /G4 Hinged walk on safety grid
- /S1 Single seal
- /S2 Double seal inc. rubber gasket
- /D1 Service ID
- /P1 Peep hole facility
- /L9 Safety grid Padlock
- /XP Paint colour (please specify)

## ALTERNATIVE MATERIALS

Stainless steel - Specifying code = /S316  
 Specifying code = /S304  
 For specifying one of the above, add the code as an end addition to the full specifying code.

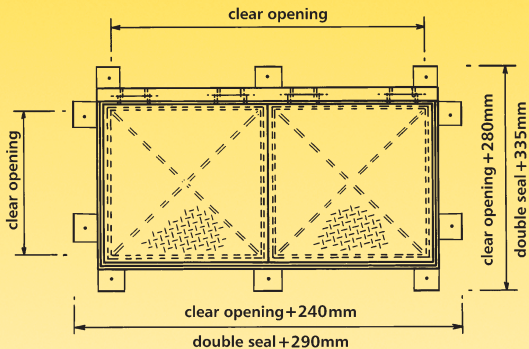
## HOW TO ORDER/SPECIFY

- Progression example for specifying
1. Select Product Reference: SHH2IL
  2. Add clear opening size i.e. 150-70
  3. Add load class i.e. /B
  4. Add accessory i.e. /G1 Hinged ladder/safety grid
  5. Add required locking system i.e. /L5
- Full reference: SHH2IL/150-70/B/G1/L5

# SECTION/PLAN DETAILS



**NOTE:** Removable support beams complete with end brackets will be supplied for large spans/heavy loadings



**Note:** L5 lock and lift system is a standard specification for Rail Industry suited padlocks

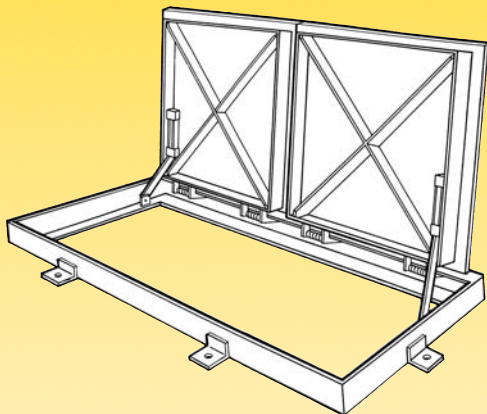
ALL TECHNICAL DETAILS ARE COPYRIGHT, AND MUST NOT BE REPRODUCED WITHOUT PRIOR CONSENT

## LOAD CLASSES • BS EN 124 European standard for trafficked access covers

LOAD CLASSES	TEST LOAD	AREA USAGE	SPECIFYING CODE
<b>A15</b> 	15kN (1.5 Tonne)	Access Areas, Walkways, Platforms & Pedestrian level crossings Recommended S.M.W.L. Not exceeding 1 Tonne	/A
<b>B125</b> 	125kN (12.5 Tonne)	Vehicular Access Areas, Station Car Parks, Trackside roads etc. Recommended S.M.W.L. Not exceeding 6 Tonne	/B Max leaf size 1200x900mm
<b>C250</b> 	250kN (25 Tonne)	Slow moving occasionally trafficked areas i.e. Loading Bays, Vehicular Access Areas, Parking Areas Recommended S.M.W.L. Not exceeding 11.5 Tonne	/C Max leaf size 900x900mm

## ULTRASECURE SOLID TOP COVER

- HIDDEN HINGE • DEEP FRAME •
- TWIN UNIT • IN-LINE LIDS •



## TYPE SHH2IL

### PRODUCT USES

The cover is designed for underline cable crossings and electrical pits where a solid top cover is required i.e. in trafficked areas such as service yards, level crossing areas, trackside access roads.

### STANDARD PRODUCT FEATURES

- Flush fitting hinged solid chequer top
- Deep frame, Plain seating
- Removable cover lid when installed
- Removable hinge pins for cover removal (only when in open position)
- Combined pull down locking device with recessed hasp & staple fitted as standard. To suit BR padlocks
- Maintenance-free side hidden hinges
- Torsion sprung lift assistance for ease of lifting by one person to comply with H.S.E. manual handling
- Hand operated Auto Safety stay
- Anchor flanges/lugs for secure fixing
- Complies with loading requirements of BS EN 124 - 1994
- Thickness of underbracing to suit load category chosen
- Security rating 2 to combat trespass & vandalism.

### AVAILABILITY

Delivery is normally within 3 weeks (or to clients requirements) from receipt of order and is generally supplied direct to site or supply & fit.



## CLEAR OPENING SIZES CHART

### USING THE CHART

Always take the **largest clear opening dimension first** from the column of sizes on the left of the chart. The second smaller dimension is related to the sizes running diagonally down the right hand of the chart. The specifying code is where the two meet i.e. 1500 x 700 = an 150-70 specifying code.

### ALTERNATIVE SIZES

The chart provides clear opening sizes in 100 mm increments, **any clear opening size is available as Standard**, and can be specified by deleting the last digit of the size, i.e. 1310 x 610 mm becomes an 131-61 specifying code.

Sizes in 5 mm will be rounded up to nearest 10.

	600	700	800	900	1000					
900				90-90						
1000			100-80	100-90	100-100					
1100		110-70	110-80	110-90	110-100					
1200	120-60	120-70	120-80	120-90	120-100					
1300	130-60	130-70	130-80	130-90	130-100					
1400	140-60	140-70	140-80	140-90	140-100					
1500	150-60	150-70	150-80	150-90	150-100					
1600	160-60	160-70	160-80	160-90	160-100					
1700	170-60	170-70	170-80	170-90	170-100					
1800	180-60	180-70	180-80	180-90	180-100					
1900	190-60	190-70	190-80	190-90	190-100					
2000	200-60	200-70	200-80	200-90	200-100					