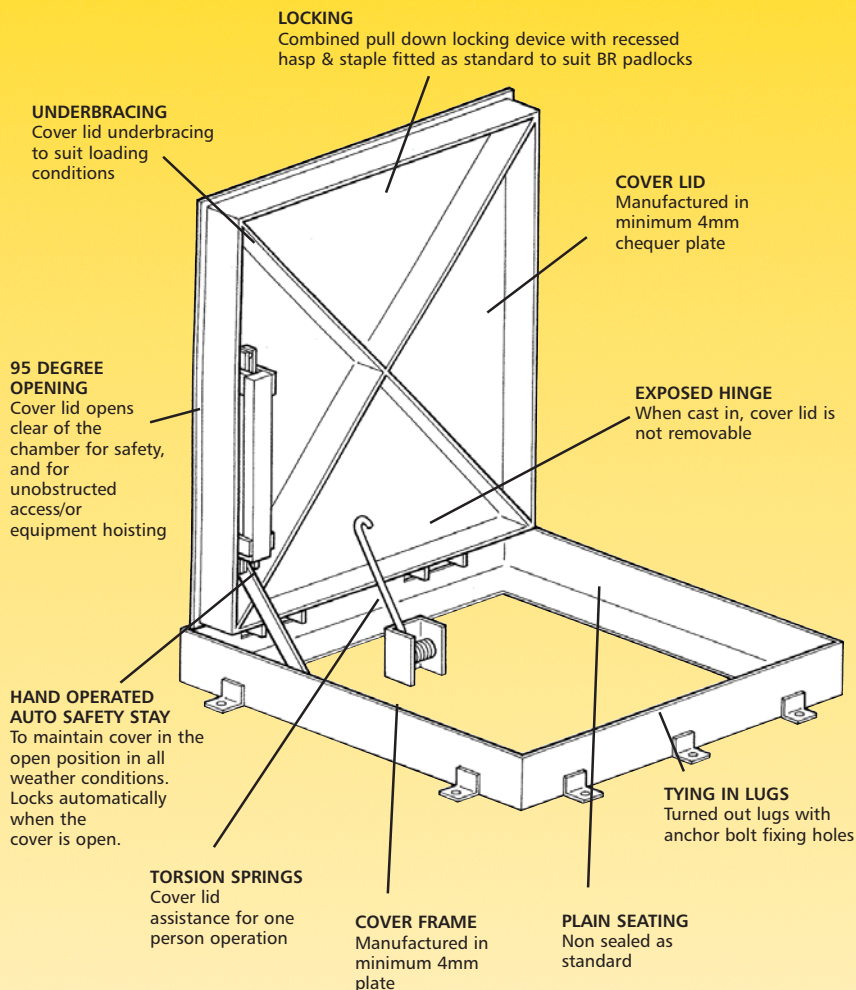


# SECURITY AND GENERAL FEATURES OF THE TECHNORAIL ULTRASECURE SHE COVER RANGE

- SOLID TOP • EXPOSED HINGE • SHALLOW FRAME •



**TYPE SHE1**

**TECHNICAL DETAILS**

Units are manufactured from minimum 4 mm steel plate and are Hot Dip Galvanised after manufacture to BS EN ISO 1461. Products conform to all health and safety single person manual handling regulations.

**ACCESSORIES**

- /G1 Hinged ladder/safety grid
- /G2 Drop-on walk on safety grid
- /G4 Hinged walk on safety grid
- /H2 End hinged
- /S1 Single seal
- /S2 Double seal inc. rubber gasket
- /D1 Service ID
- /P1 Peep hole facility
- /L9 Safety grid padlock
- /XP Paint colour (please specify)

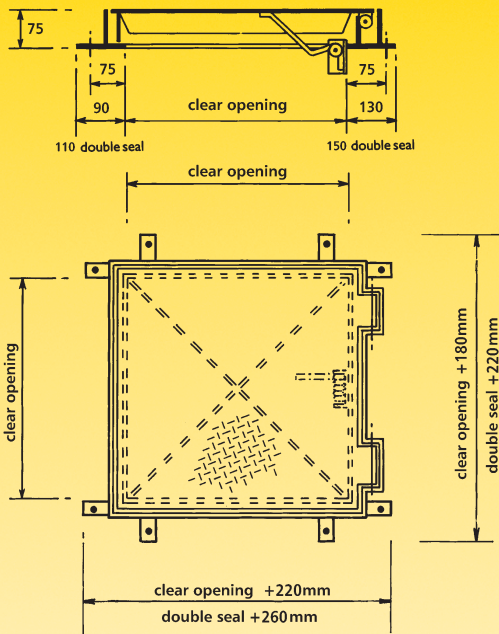
**ALTERNATIVE MATERIALS**

Stainless steel - Specifying code = /S316  
 Specifying code = /S304  
 For specifying one of the above, add the code as an end addition to the full specifying code.

**HOW TO ORDER/SPECIFY**

- Progression example for specifying
1. Select Product Reference: SHE1
  2. Add clear opening size i.e. 80-70
  3. Add load class i.e. /B
  4. Add accessory i.e. /G1 Hinged ladder/safety grid
  5. Add required locking system i.e. /L5
- Full reference: SHE1/80-70/B/G1/L5

**SECTION/PLAN DETAILS**



**Note:** L5 lock and lift system is a standard specification for Rail Industry suited padlocks

ALL TECHNICAL DETAILS ARE COPYRIGHT, AND MUST NOT BE REPRODUCED WITHOUT PRIOR CONSENT

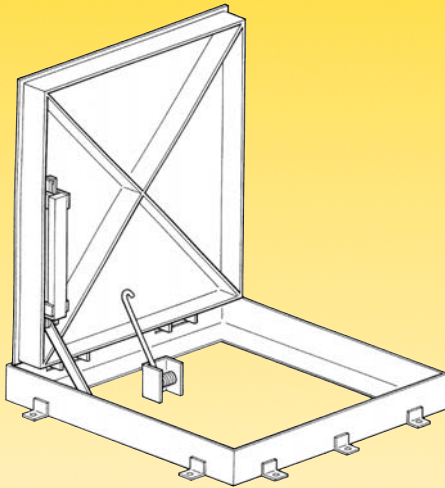
**LOAD CLASSES • BS EN 124 European standard for trafficked access covers**

LOAD CLASSES	TEST LOAD	AREA USAGE	SPECIFYING CODE
<b>A15</b> 	15kN (1.5 Tonne)	Access Areas, Walkways, Platforms & Pedestrian level crossings Recommended S.M.W.L. Not exceeding 1 Tonne	/A
<b>B125</b> 	125kN (12.5 Tonne)	Vehicular Access Areas, Station Car Parks, Trackside roads etc. Recommended S.M.W.L. Not exceeding 6 Tonne	
<b>C250</b> 	250kN (25 Tonne)	Slow moving occasionally trafficked areas i.e Loading Bays, Vehicular Access Areas, Parking Areas Recommended S.M.W.L. Not exceeding 11.5 Tonne	NOT APPLICABLE Max leaf size 1200x900mm

**\*N.B.** Please check suitability with technical department when choosing the end-hinged option with heavy duty loading on larger sized units.

# ULTRASECURE SOLID TOP COVER

- EXPOSED HINGE •
- SHALLOW FRAME • SINGLE UNIT •



## TYPE SHE1

### PRODUCT USES

The cover is designed for underline cable crossings and electrical pits where a solid top cover is required i.e. in trafficked areas such as service yards, level crossing areas, trackside access roads.

### STANDARD PRODUCT FEATURES

- Flush fitting hinged solid chequer top
- Shallow frame
- Plain seating
- Non-removable cover lid when installed
- Combined pull down locking device with recessed hasp & staple fitted as standard. To suit BR padlocks
- Fixed exposed side hinges
- Torsion sprung lift assistance for ease of lifting by one person to comply with H.S.E. manual handling
- Hand operated Auto Safety stay
- Anchor lugs for secure fixing
- Complies with loading requirements of BS EN 124 - 1994
- Thickness of underbracing to suit load category chosen
- Security rating 2 to combat trespass & vandalism.

### AVAILABILITY

Delivery is normally within 3 weeks (or to clients requirements) from receipt of order and is generally supplied direct to site or supply & fit.



## CLEAR OPENING SIZES CHART

### USING THE CHART

Always take the **largest clear opening dimension first** from the column of sizes on the left of the chart. The second smaller dimension is related to the sizes running diagonally down the right hand of the chart. The specifying code is where the two meet i.e. 800 x 700 = an 80-70 specifying code.

### ALTERNATIVE SIZES

The chart provides clear opening sizes in 50 or 100 mm increments, **any clear opening size is available as Standard**, and can be specified by deleting the last digit of the size, i.e. 810 x 610 mm becomes an 81-61 specifying code. Sizes in 5 mm will be rounded up to nearest 10.

	200	300	400	450	500	600	650	700	750	800	850	900	950	1000	1050
200	20-20														
300	30-20	30-30													
400	40-20	40-30	40-40												
450	45-20	45-30	45-40	45-45											
500	50-20	50-30	50-40	50-45	50-50										
600	60-20	60-30	60-40	60-45	60-50	60-60									
650	65-20	65-30	65-40	65-45	65-50	65-60	65-65								
700	70-20	70-30	70-40	70-45	70-50	70-60	70-65	70-70							
750		75-30	75-40	75-45	75-50	75-60	75-65	75-70	75-75						
800		80-30	80-40	80-45	80-50	80-60	80-65	80-70	80-75	80-80					
900		90-30	90-40	90-45	90-50	90-60	90-65	90-70	90-75	90-80	90-85				
1000			100-40	100-45	100-50	100-60	100-65	100-70	100-75	100-80	100-85	100-90			
1050			105-40	105-45	105-50	105-60	105-65	105-70	105-75	105-80	105-85	105-90	105-95		
1100			110-40	110-45	110-50	110-60	110-65	110-70	110-75	110-80	110-85	110-90	110-95	110-100	
1200			120-40	120-45	120-50	120-60	120-65	120-70	120-75	120-80	120-85	120-90	120-95	120-100	120-105