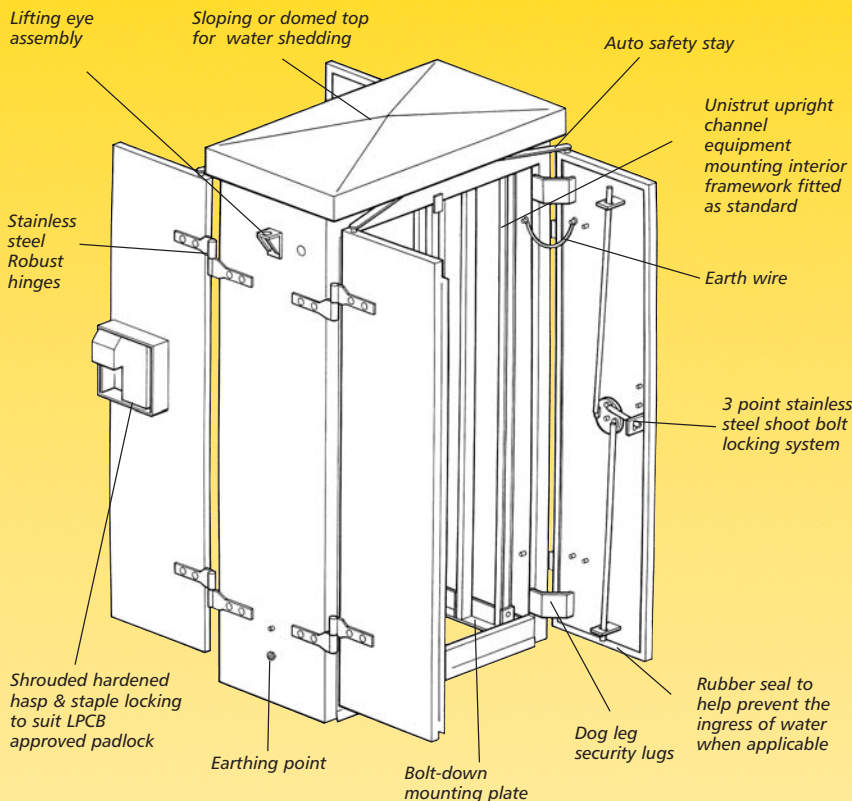


SECURITY AND GENERAL FEATURES OF THE TECHNORAIL ULTRASECURE CASE/CABINET RANGE



- ALL CABINETS CAN BE MADE TO SUIT INDIVIDUAL CUSTOMER REQUIREMENTS •
 - **LPCB SECURITY RATING APPROVED, LOCATION APPARATUS PRODUCTS** •
- LARGER CABINETS HAVE THE FACILITY TO BE TAKEN TO SITE IN A FLAT PACK SYSTEM FOR EASE OF SITE ASSEMBLY •
 - **LASER CUT IDENTIFICATION TO CUSTOMER REQUIREMENTS** •
 - **LOUVRE VENTS ACCESSORY POSITIONED WHERE REQUIRED** •
 - **HOT DIP GALVANISED AFTER MANUFACTURE TO BS EN ISO 1461** •
- EXTERNAL PAINT FINISHES ARE AVAILABLE FOR AESTHETIC APPEARANCE IF REQUIRED •
 - **ALTERNATIVE MATERIALS AVAILABLE ON REQUEST** •

TYPE WMC

PRODUCT USES

UltraSecure cabinet that has multiple uses including general equipment store, trackside emergency equipment store or as housing for several inferior cabinets.

STANDARD PRODUCT FEATURES

- Any size available, please specify
- Hidden door hinges for security
- 3 point shoot bolt locking with shrouded hasp and staple locking to suit Railtrack approved padlock
- Optional Euro profile cylinder locking system – see accessories
- Internal bolt down flanges for security
- Supplied in flat pack system, for site assembly. All bolts for assembly included.
- Manufactured from minimum 4mm steel plate
- Hot dip galvanised after manufacture to BS EN ISO 1461
- External paint finishes are available for aesthetic appearance if required and will be applied over etch primer and base coat
- Alternative materials available on request
- Security level 4 to combat Trespass and Vandalism

AVAILABILITY (as standard)

ACCESSORIES

- /D1 Identification marking (please specify)
- /LV Louvre Vent
- /HL Door hinged left (hinged right as standard)
- /D2 Double door (specify width)
- /PB Plywood backboard
- /PC Euro Profile flush cylinder
- /ALAWINT Alarm Package
- /BR1 Standard BR1 lock
- /DP Digital pad locking system
- /SC Swipe card locking
- /SB Steel Base
- /RS Rubber seal

HOW TO ORDER/SPECIFY

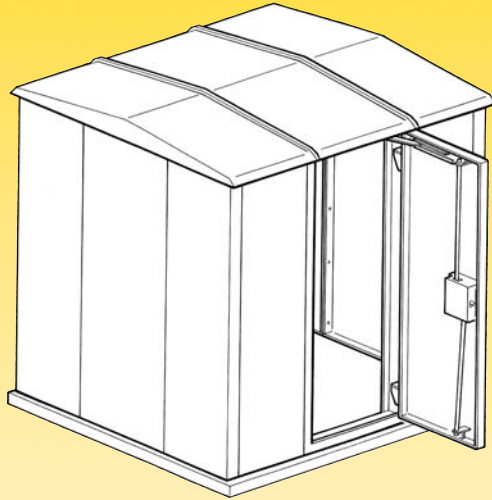
Progression example for specifying:

1. Product Type: WMC
2. Add size ref. i.e. 2150height x 2500width x 2000depth = /215-250-200
3. Add accessory i.e. - /DS2-180-Double door-1800 width

Full reference:

WMC/215-250-200/DS2-180

ULTRASECURE WALK-IN MODULAR CABINET



SECTION/PLAN DETAILS

