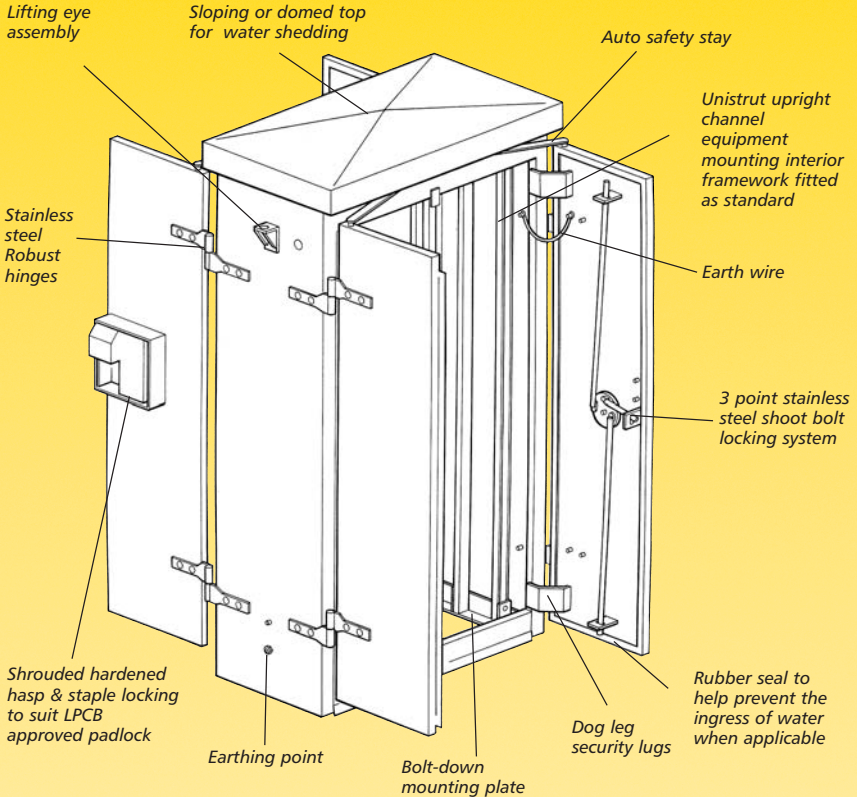


# SECURITY AND GENERAL FEATURES OF THE TECHNORAIL ULTRASECURE CASE/CABINET RANGE



- ALL CABINETS CAN BE MADE TO SUIT INDIVIDUAL CUSTOMER REQUIREMENTS •
  - **LPCB SECURITY RATING APPROVED, LOCATION APPARATUS PRODUCTS** •
- LARGER CABINETS HAVE THE FACILITY TO BE TAKEN TO SITE IN A FLAT PACK SYSTEM FOR EASE OF SITE ASSEMBLY •
  - **LASER CUT IDENTIFICATION TO CUSTOMER REQUIREMENTS** •
  - **LOUVRE VENTS ACCESSORY POSITIONED WHERE REQUIRED** •
  - **HOT DIP GALVANISED AFTER MANUFACTURE TO BS EN ISO 1461** •
- EXTERNAL PAINT FINISHES ARE AVAILABLE FOR AESTHETIC APPEARANCE IF REQUIRED •
  - **ALTERNATIVE MATERIALS AVAILABLE ON REQUEST** •

# TYPE TC1

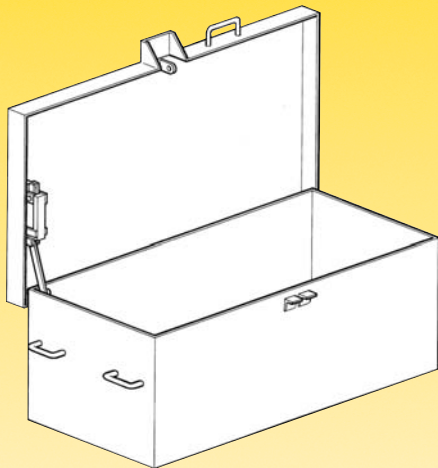
## PRODUCT USES

Secure lineside tool chest. Can be held in position by chaining lifting handles to a secure post or more permanently by internal bolt down base plate.

## STANDARD PRODUCT FEATURES

- Standard size: 500 Height x 1500 Width x 700 Depth but any size available, please specify
- Hidden hinges for security
- Hasp and staple locking to suit Railtrack approved padlock
- Internal bolt down base plate for extra security
- Torsion sprung lift assistance of lid
- Auto safety stay
- Manufactured from minimum 3mm steel plate
- Hot dip galvanised after manufacture to BS EN ISO 1461
- External paint finishes are available for aesthetic appearance if required and will be applied over etch primer and base coat
- Alternative materials available on request
- Security level 2 to combat Trespass and Vandalism

# ULTRASECURE TOOL CHEST



## AVAILABILITY

Delivery is normally within 3 weeks (or to clients requirements) from receipt of order and is generally supplied direct to site or supply & fit.



## ACCESSORIES

- /D1 Identification marking (please specify)
- /TC2 Twin lid (for larger sizes)
- /SL4 Security level 4 upgrade

## HOW TO ORDER/SPECIFY

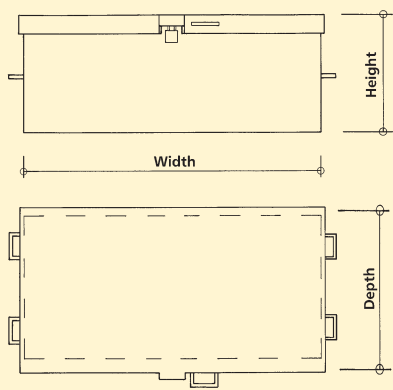
Progression example for specifying:

1. Product Type: TC1
2. Add size ref. i.e. 500height x 1500width x 700depth = /50-150-70
3. Add accessory: i.e. /D1(Railtrack) - Identification marking

Full reference:

TC1/50-150-70/D1(Railtrack)

## SECTION/PLAN DETAILS



01/07/03 ALL TECHNICAL DETAILS ARE COPYRIGHT, AND MUST NOT BE REPRODUCED WITHOUT PRIOR CONSENT