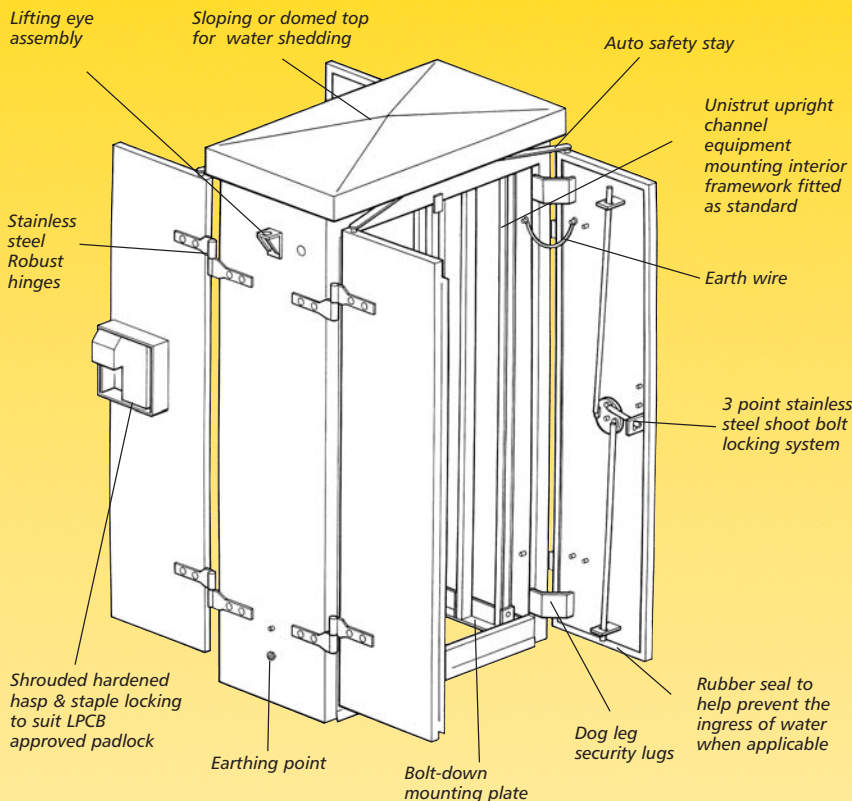
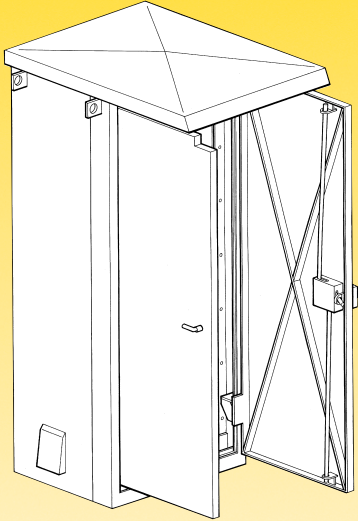


SECURITY AND GENERAL FEATURES OF THE TECHNORAIL ULTRASECURE CASE/CABINET RANGE



- ALL CABINETS CAN BE MADE TO SUIT INDIVIDUAL CUSTOMER REQUIREMENTS •
 - **LPCB SECURITY RATING APPROVED, LOCATION APPARATUS PRODUCTS** •
- LARGER CABINETS HAVE THE FACILITY TO BE TAKEN TO SITE IN A FLAT PACK SYSTEM FOR EASE OF SITE ASSEMBLY •
 - **LASER CUT IDENTIFICATION TO CUSTOMER REQUIREMENTS** •
 - **LOUVRE VENTS ACCESSORY POSITIONED WHERE REQUIRED** •
 - **HOT DIP GALVANISED AFTER MANUFACTURE TO BS EN ISO 1461** •
- EXTERNAL PAINT FINISHES ARE AVAILABLE FOR AESTHETIC APPEARANCE IF REQUIRED •
 - **ALTERNATIVE MATERIALS AVAILABLE ON REQUEST** •

ULTRASECURE PEAKED WALK-IN COMMUNICATION ENCLOSURE



TYPE PWCE

PRODUCT USES

UltraSecure electrical/telecommunication and signalling walk-in enclosure. Designed for remote sites with unique peaked roof & secondary door for weather protection for apparatus.

STANDARD PRODUCT FEATURES

- Standard size: 2300mm Height x 950mm Width x 700mm Depth, but any size available, please specify
- Hidden door hinges for security
- 3 point shoot bolt locking with shrouded hasp and staple locking to suit Railtrack approved padlock
- Supplied in flat pack system, for site assembly. (bolts included)
- Internal bolt down flanges
- Sealing strip to door
- Manufactured from minimum 4mm steel plate
- Hot dip galvanised after manufacture to BS EN ISO 1461
- External paint finishes available for aesthetic appearance or for ID if required and will be applied over etch primer and base coat
- Alternative materials available on request
- Security level 4 to combat Trespass and Vandalism

AVAILABILITY (as standard)

ACCESSORIES

- /D1 Identification marking (please specify)
- /LV Louvre Vent
- /HL Door hinged left (hinged right as standard)
- /PB Plywood backboard
- /PC Euro Profile flush cylinder
- /ALAWINT Alarm Package
- /BR1 Standard BR1 lock
- /DP Digital pad locking system
- /SC Swipe card locking
- /ACMS Air conditioning management system
- /XP External paint colour (please specify)

HOW TO ORDER/SPECIFY

Progression example for specifying:

1. Product Type: PWCE
2. Add accessory: i.e. /LV - louvre vent

Full reference: PWCE/LV



SECTION/PLAN DETAILS

