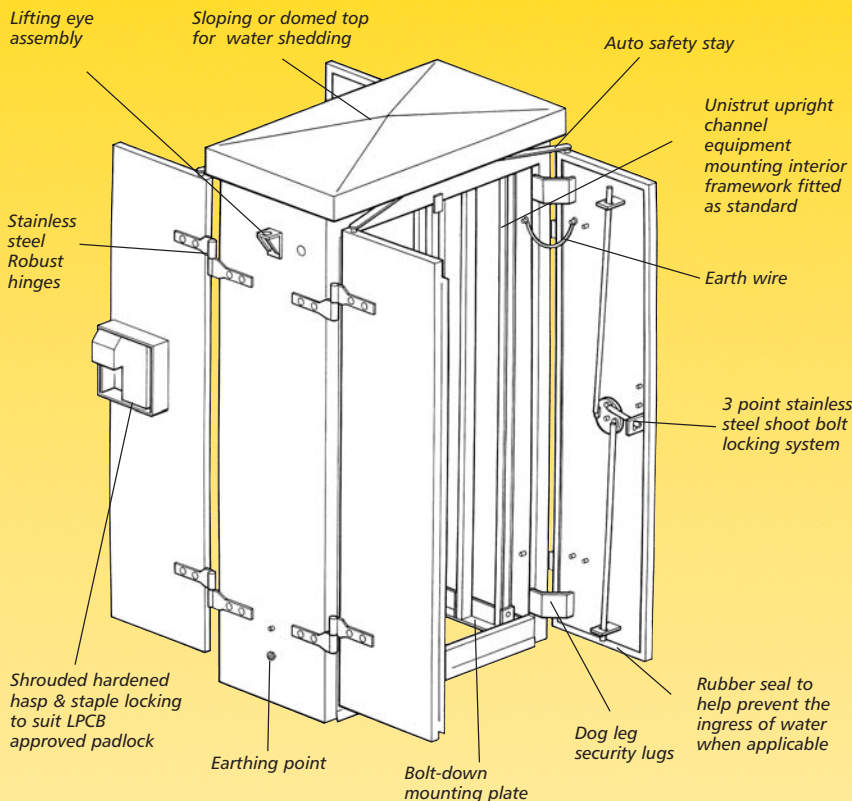


SECURITY AND GENERAL FEATURES OF THE TECHNORAIL ULTRASECURE CASE/CABINET RANGE



- ALL CABINETS CAN BE MADE TO SUIT INDIVIDUAL CUSTOMER REQUIREMENTS •
 - **LPCB SECURITY RATING APPROVED, LOCATION APPARATUS PRODUCTS** •
- LARGER CABINETS HAVE THE FACILITY TO BE TAKEN TO SITE IN A FLAT PACK SYSTEM FOR EASE OF SITE ASSEMBLY •
 - **LASER CUT IDENTIFICATION TO CUSTOMER REQUIREMENTS** •
 - **LOUVRE VENTS ACCESSORY POSITIONED WHERE REQUIRED** •
 - **HOT DIP GALVANISED AFTER MANUFACTURE TO BS EN ISO 1461** •
- EXTERNAL PAINT FINISHES ARE AVAILABLE FOR AESTHETIC APPEARANCE IF REQUIRED •
 - **ALTERNATIVE MATERIALS AVAILABLE ON REQUEST** •

TYPE GWP/F

PRODUCT USES

Replacement door panels for Full GWR type location cabinets with PADS approval No. GW/SRG/S/171.

STANDARD PRODUCT FEATURES

- Standard size: 1426mm Height x 794mm Width
- Two hasp & staple locking handles shrouded for extra security
- Locking system to suit RKB221/222 suited padlocks
- Two angles for turnbuckle locks
- 2 No. lifting handles
- Manufactured from minimum 2mm steel plate
- Fixtures hot dip galvanised after manufacture to BS EN ISO 1461
- External paint finishes are available for aesthetic appearance if required and will be applied over etch primer and base coat
- Alternative materials available on request
- Security level 2 to combat Trespass and Vandalism

AVAILABILITY

Delivery is normally within 3 weeks (or to clients requirements) from receipt of order and is generally supplied direct to site or supply & fit.

ACCESSORIES

- /D1 Identification marking (please specify)
- /XP External paint colour (please specify)

HOW TO ORDER/SPECIFY

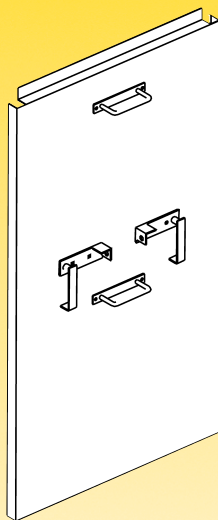
Progression example for specifying

1. Select Product Reference: GWP/F
2. Add accessory: i.e. /D (Network Rail) – Identification marking

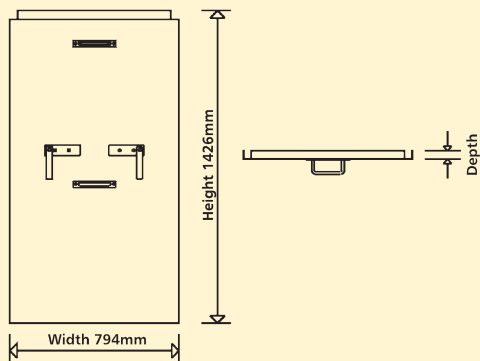
Full reference:

GWP/F/D1 (Network Rail)

ULTRASECURE GREAT WESTERN DOOR PANEL-FULL



SECTION/PLAN DETAILS



01/07/03

ALL TECHNICAL DETAILS ARE COPYRIGHT, AND MUST NOT BE REPRODUCED WITHOUT PRIOR CONSENT