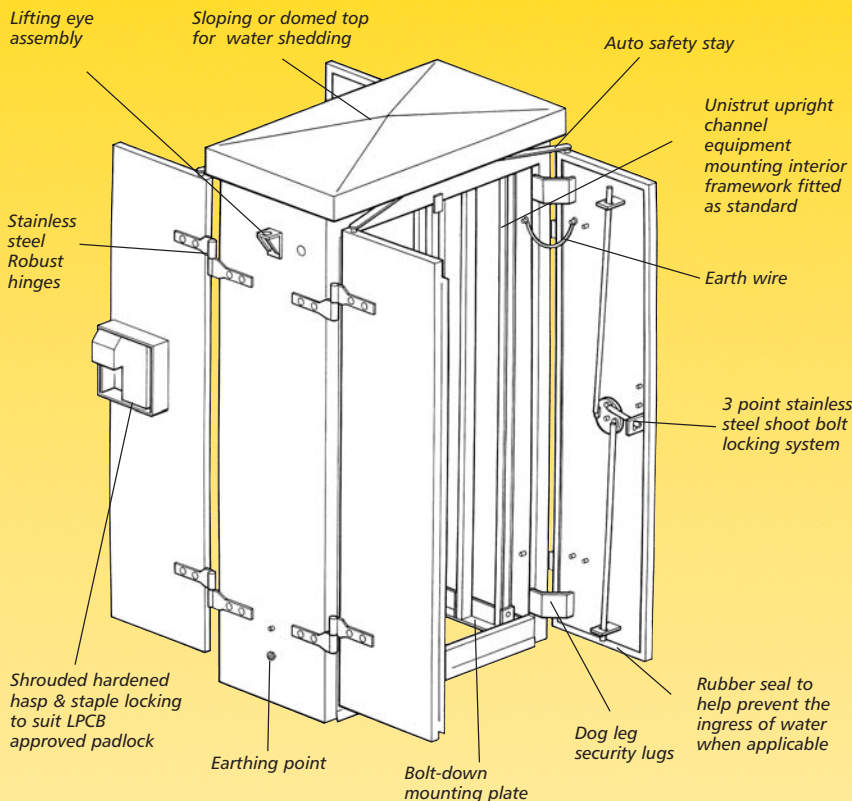
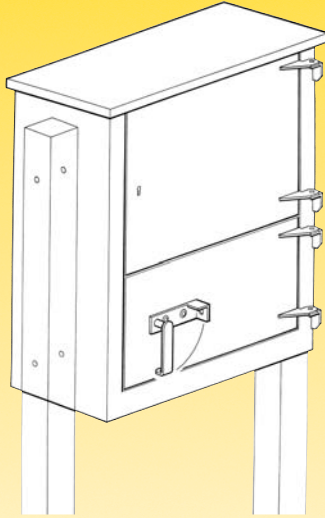


# SECURITY AND GENERAL FEATURES OF THE TECHNORAIL ULTRASECURE CASE/CABINET RANGE

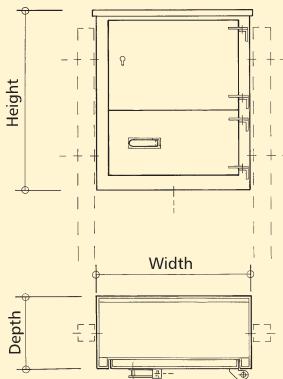


- ALL CABINETS CAN BE MADE TO SUIT INDIVIDUAL CUSTOMER REQUIREMENTS •
  - *LPCB SECURITY RATING APPROVED, LOCATION APPARATUS PRODUCTS* •
- LARGER CABINETS HAVE THE FACILITY TO BE TAKEN TO SITE IN A FLAT PACK SYSTEM FOR EASE OF SITE ASSEMBLY •
  - *LASER CUT IDENTIFICATION TO CUSTOMER REQUIREMENTS* •
  - *LOUVRE VENTS ACCESSORY POSITIONED WHERE REQUIRED* •
  - *HOT DIP GALVANISED AFTER MANUFACTURE TO BS EN ISO 1461* •
- EXTERNAL PAINT FINISHES ARE AVAILABLE FOR AESTHETIC APPEARANCE IF REQUIRED •
  - *ALTERNATIVE MATERIALS AVAILABLE ON REQUEST* •

# ULTRASECURE GROUND FRAME RELEASE CABINET



## SECTION/PLAN DETAILS



## TYPE GFRC

### PRODUCT USES

These cabinets are specially designed for housing ground frame release key & equipment with upper and lower doors fitted with two different locking systems for specific Rail staff use. Cabinets are fitted to existing posts as standard

### STANDARD PRODUCT FEATURES

- Standard size - 950mm Height x 795mm Width x 370mm Depth
- Both upper and lower doors have 180 degree opening
- Upper door fitted with BR-1 lock as standard
- Lower door fitted with hasp & staple locking to suit Rail Industry approved padlock
- Fitted to original posts as standard, but can also be wall mounted or supplied with side cabinet posts (see accessories)
- Cable entry point to underside
- Rubber seal to doors
- Internal shelving as standard
- Manufactured from minimum 3mm steel plate
- Hot dip galvanised after manufacture to BS EN ISO 1461
- Security level 2 to combat Trespass and Vandalism

### AVAILABILITY

Supply & fit is normally within 3 weeks (or to clients requirements) from receipt of order.

### ACCESSORIES

- /D1 Identification marking (please specify)
- /XP External paint colour for aesthetic appearance (please specify)
- /HL Door hinged left (hinged right as standard)
- /SCP Side cabinet posts
- /WM Wall mounted

### HOW TO ORDER/SPECIFY

Progression example for specifying

1. Select Product Reference: GFRC
2. Add accessory: i.e. /WM - wall mounted & /D1(1234) - Identification marking

*Full reference: GFRC/WM/D1(1234)*