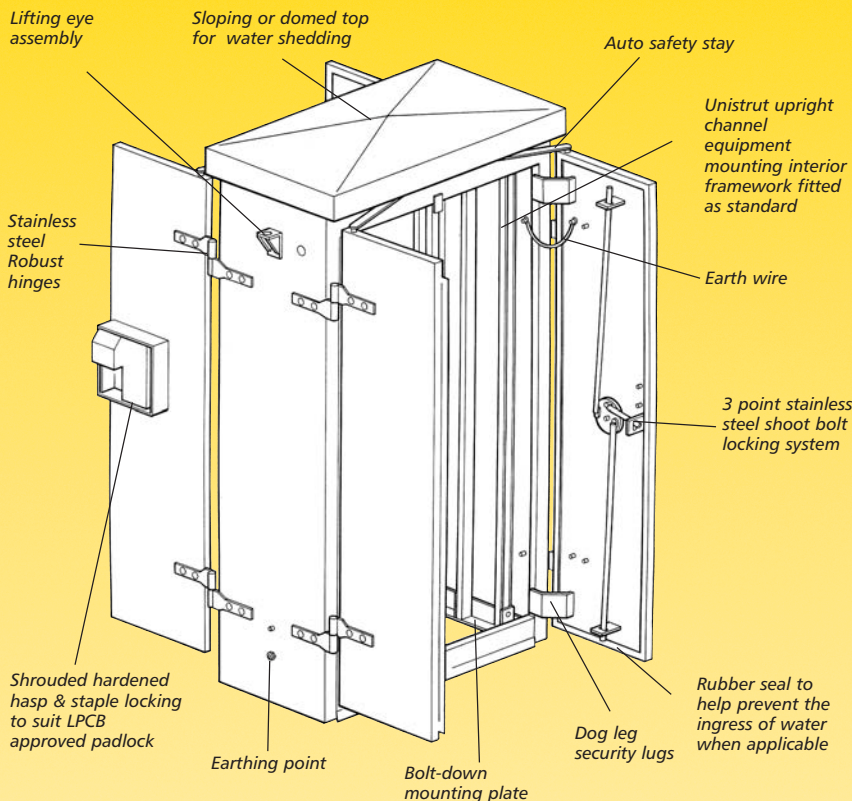


# SECURITY AND GENERAL FEATURES OF THE TECHNORAIL ULTRASECURE CASE/CABINET RANGE



- ALL CABINETS CAN BE MADE TO SUIT INDIVIDUAL CUSTOMER REQUIREMENTS •
  - **LPCB SECURITY RATING APPROVED, LOCATION APPARATUS PRODUCTS** •
- LARGER CABINETS HAVE THE FACILITY TO BE TAKEN TO SITE IN A FLAT PACK SYSTEM FOR EASE OF SITE ASSEMBLY •
  - **LASER CUT IDENTIFICATION TO CUSTOMER REQUIREMENTS** •
  - **LOUVRE VENTS ACCESSORY POSITIONED WHERE REQUIRED** •
  - **HOT DIP GALVANISED AFTER MANUFACTURE TO BS EN ISO 1461** •
- EXTERNAL PAINT FINISHES ARE AVAILABLE FOR AESTHETIC APPEARANCE IF REQUIRED •
  - **ALTERNATIVE MATERIALS AVAILABLE ON REQUEST** •

## TYPE CB1

### PRODUCT USES

An UltraSecure, surface mounted cabinet enclosure for housing trackside/station equipment such as:

- Electrical instrumentation
- Trackside connections
- Telecommunications
- Radio communication equipment
- Points/switch heaters.

### STANDARD PRODUCT FEATURES

- Any size available, please specify
- Hidden door hinges for security
- 3 point shoot bolt locking with shrouded hasp and staple locking to suit Railtrack approved padlock
- Optional locking systems – see accessories
- Internal bolt down flanges for security
- Manufactured from minimum 4mm steel plate
- Hot dip galvanised after manufacture to BS EN ISO 1461
- External paint finishes are available for aesthetic appearance if required and will be applied over etch primer and base coat
- Alternative materials available on request
- Security level 3 to combat Trespass and Vandalism

### AVAILABILITY (as standard)

### ACCESSORIES

- /D1 Identification marking (please specify)  
/LV Louvre Vent  
/HL Door hinged left (hinged right as standard)  
/PB Plywood backboard  
/PC Euro Profile flush cylinder  
/ALAWINT Alarm Package  
/BR1 Standard BR1 lock  
/DP Digital pad locking system  
/SC Swipe card locking  
/XP External paint colour (please specify)  
/RS Rubber seal to door

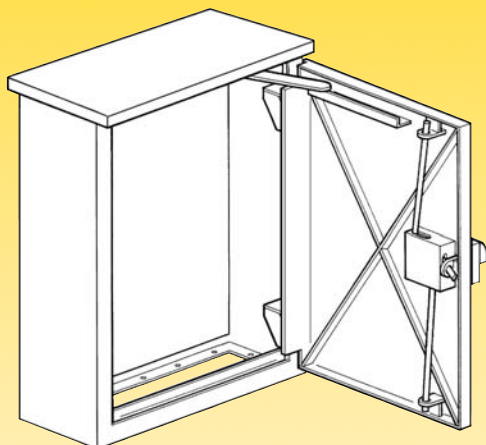
### HOW TO ORDER/SPECIFY

Progression example for specifying:

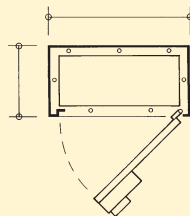
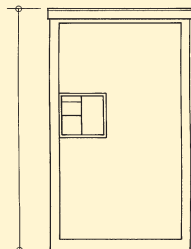
1. Product Type: CB1
2. Add size ref. i.e. 1200height x 1000width x 450depth = /120-100-45
3. Add accessory: i.e. /LV - louvre vent

Full reference: CB1/120-100-45/LV

## ULTRASECURE SINGLE DOOR CABINET



## SECTION/PLAN DETAILS



01/07/03

ALL TECHNICAL DETAILS ARE COPYRIGHT, AND MUST NOT BE REPRODUCED WITHOUT PRIOR CONSENT